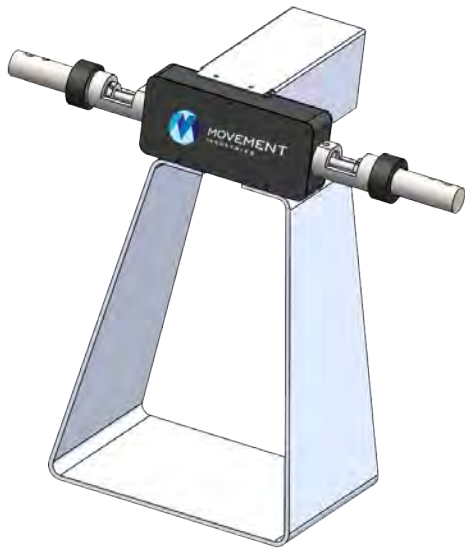




GEAR & RACK PLUNGER



GEAR & RACK PLUNGER

(AC, DC & SOLAR)

Movement Industries Pumps' positive displacement pumps are the only choice for the most demanding applications due to their high quality, ease of service, pump longevity and low cost of ownership.

Plunger pumps are characteristically high efficiency pumps. The gear and rack pump system has several advantages. The Movement Industries Pump competitive advantage is centered around three different factors, efficiency, power consumption and manufacturing simplicity.

- Provide Reliable Chemical Injection of up to 234 Gallons Per Day
- Resilient & Dependable design, robust industrial components and suitable for extreme temperature
- 3 Plunger options 1/4", 3/8" & 1/2"
- AC or DC Option
- Injection rate controller options include time based and VFD to ensure precise injection rates
- Remote monitoring with Mobile or Web
- Time based Rate controller
- Max pressure = 3,500 psi (241 bar, 24.1 MPa)
- Solar System (Solar panels, Charge Controller & Battery Bank) is configured per the application
- Quick Connect Collar Option is now available



TECHNICAL DATA

GENERAL	
Pump Heads	Single & Double
Motor Specs Power Options: AC 110-250 VAC DC/ Solar 12 VDC	Configurable by Model: AC 33 RPM Motor (110-250 VAC) AC 51 RPM Motor (110-250 VAC) DC 33 RPM Motor (Solar Option) DC 51 RPM Motor (Solar Option)
Plunger Options	1/4", 3/8", 1/2"
Discharge Connections	1/4" NPT Connection
Max Pressure	3,500 psi
Remote Operations	Modbus ASCII & RTU & IOT Solutions
Stroke Length	1-7/8"
Material	Stainless Steel
Housing	Aluminum
Packings	Teflon/Viton standard or as per application
Connection	Quick Connect Collar

PERFORMANCE			
1-7/8" Stroke	1/4" Head Rate (Max)	3/8" Head Rate (Max)	1/2" Head Rate (Max)
Single Head @ 33 RPM (GPD)	19	42	75
Single Head @ 51 RPM (GPD)	29	66	117
Double Head @ 33 RPM (GPD)	38	85	151
Double Head @ 51 RPM (GPD)	58	131	234

CONTROL & ELECTRICAL	
Pump Controller	AC or DC configurable pump controller
Power options	AC 115-250 VAC, 12 VDC, Solar Power 12 VDC System

OTHER OPTIONS	
Electrical Enclosure	NEMA-4
Mounting	Direct Mounting
Solar option	Sized to Application